

POINT MH



Code C 71020

Type: Moving body projector.

Colours available:
black and silver.

Power supply: 230V 50Hz.

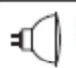
Consumption: 100 VA.

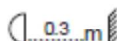
Working Position: any.

Cooling: by convection.



Lamp:

| | | |
|---|------------------------------|----------|
|  | Halogen Deoctar 61 IRC | Included |
| | Cod. L.10068 | |



- Voltage: 12V
- Power: 50W
- Colour temperature: 3.100 K
- Luminosity: 15.000 cd
- Beam angle: 10°
- Average life: 4,000 hours
- Connection: GU 5,3
- Any working position

Accessories:



1. Code C71101
Lens kit
1:2,8/90 mm
+ gobo mount



2. Code C71103
Spill Ring kit
Colours: black and silver



3. Code C71102
Fixing Plate Kit

Master / Slave operation in automatic mode.

A projector can pilot up to 100 projectors and can set (with or without dimmer) both the colour sequence and colour timing from 3 to 360 seconds.

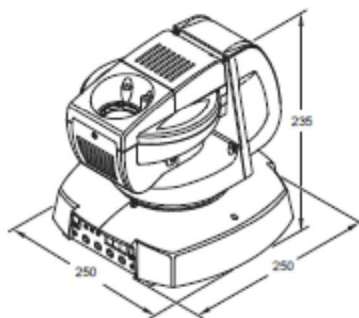
Also available are 5-speed settings for Pan and Tilt, maximum and minimum resolution for Pan and Tilt, Sound-to-Light.

Operation with DMX 512 digital signal

You can program and obtain any colour sequence or movement using a DMX 512 remote control.

Control channels:

| | |
|-----------------------|---|
| 1 Colour wheel | 7 colours, obtained using pure and selected dichroic filters. |
| 2 Dimmer | Gradual electronic dimmer 0 -100 % |
| 3 Pan | 360° movement on horizontal axis and max speed 2.3 seconds |
| 4 Tilt | 208° movement on vertical axis and max speed 1.5 seconds |



POINT MH

Colour changer